



QSL PE



**THIS NEWSLETTER IS PUBLISHED BY THE
PORT ELIZABETH AMATEUR RADIO SOCIETY**

WEBSITE: www.qsl.net/zs2pe

**PO BOX 10402
LINTON GRANGE
6015**

OCTOBER 2004

MONTHLY GENERAL MEETING

The monthly general meeting of the PORT ELIZABETH AMATEUR RADIO SOCIETY will be held on Thursday, 21 October, 2004 at the St Hugh's Church Hall, Newton Park, starting at 20:00 (8 pm).

Last time we thought we could look at the DVD recording of the President's speech and the demonstration by Tony Voorveldt at the SARL's Amateur Radio in Action get-together during August. What we didn't think of was the need for an amplifier to get the speech up to an acceptable level. All we had was what came out of the laptop computer's speaker, which was totally inadequate for the area, and it was decided to leave it for the next meeting.

So this time everything will be arranged and we can have a good gawk at what was put together in Johannesburg. Come along and enjoy it.

There will be tea, coffee and something for the innards and there will also be the **bring and buy** table.

Wrinkly Ravers

Our last get-together was on Thursday, 7 October. In spite of the heavy rain, we had 15 members present – almost as many as attend our monthly meetings!! Among them were Colin ZS2AO and Lynn ZS2MM. We were sorry to learn that Joan, XYL of Bill ZS2BY, has not been well and couldn't attend. We will be thinking of you, Joan.

Remember our next get-together – Thursday, 4 November, at the usual place, Barney's Steak Bar, Circular Drive, Lorraine.

Jamboree on the Air.... and JOTI....

We had a good long discussion on the subject of JOTA on the Monday evening's bulletin repeat. None of the local scouting people had taken the trouble to contact us, and Ewalt was to try to contact them, but he was not able to do so on Monday.

There has for some years been a trend away from the "Air" aspect of the jamboree, with most youngsters being interested in the Jamboree on the *Internet*. It was a pity that, for some years now, the two had been arranged to take place at the same weekend.

There were various thoughts on what we could do primarily to let the public know what ham radio is about, and perhaps get the kids interested in the hobby. Let's hear from you – what can we do to interest the youngsters?1

One of Rory's thoughts: We should get in touch with the oldsters in homes etc. and give them a bit of fun via ham radio. *He didn't say what happens if some of them want to write the exam and come on the air themselves!* 📻



from The Chairman

Well, another month has sped by. Time to put pen to paper (or should that be finger to key) for another column. Very soon we'll be wishing one another Merry Christmas again and wonder just what happened to 2004.

The past month has seen devastating weather conditions in the Caribbean, and once again amateur radio operators provided emergency communications when cellular networks and even the local emergency services fell foul to this natural disaster.

In our part of the world we are blessed with far more reasonable weather, but the same holds true – our communications infrastructure, whether it be HF or VHF will be operational long after formal communications have been knocked out. Now is the perfect opportunity to promote our hobby as not only being a technical pursuit and an enjoyable pass-time, but one that can assist in saving lives.

We've heard many (even from within our ranks) say that in today's hi-tech world amateur radio is irrelevant. This myth was dispelled once and for all with the advent of 9/11. A recent BBC documentary looked into the role that amateur radio played in the aftermath of this non-natural disaster. Literally every

emergency service in the area had their communications knocked out.

This was because they had all sited their repeaters at the World Trade Centre.

Radio amateurs rallied alongside the police, fire-fighters and emergency personnel – without their communications ability, who knows how much worse the outcome may have been.

Ham spirit is an integral component of our hobby – whether it be nurturing new-comers to the hobby or simply attending club functions. We can all play a part. This month sees JOTA taking place – see how you can be of assistance. It is not often that we get the opportunity to interface with the younger generation, let's make it a memorable weekend for all concerned.

At this month's meeting, we will definitely be showing the video that was promised last month. I've seen Tony Voorveldt's talk, and can assure you that it will be worth giving up an evening in front of the goggle-box at home to see.

The Gulf of Mexico has recently experienced four hurricanes, which had a devastating effect on certain areas of the United States of America and some of the Gulf islands. We regularly hear of other major disasters around the world.

We in the Eastern Cape are fortunate that we seldom have natural disasters, and the ones we do have are not nearly so devastating.

We should not become too complacent though. What would you do if, say, we had a power failure for 24 hours or more, or a water supply cut? What if we had some major disaster, natural or otherwise?

It bears giving some thought to a plan of action, so that in the unlikely event of something like this happening, that you are not totally unprepared.

Four Metres

The repeater operating on 4m–cum 6m is

using 70,300 MHz on 4m, which is right at the band edge, so we have decided to shift the frequency to 70,250 MHz.

We could also make use of the four metre band for emergency simplex operation. We could use 70,250 MHz for this purpose and it would be possible to be heard on 6 metres as well through the repeater.

Social

We wish a warm welcome to Graeme Gathercole, ZS2OD, who has joined ECARES.

It is good to hear that John ZS2AH, who has now had both knees operated on, is doing fine.

73,

**Al Akers,
Provincial Director:
Hamnet/ECARES**

MINUTES OF THE MONTHLY MEETING OF THE PORT ELIZABETH AMATEUR RADIO SOCIETY HELD AT St HUGH'S CHURCH HALL, NEWTON PARK, PORT ELIZABETH ON 16 SEPTEMBER 2004

Welcome:

Rory ZS2BL welcomed all who had made the effort to attend.

Present and Apologies :

As noted in the attendance register. Mention was made of Lionel ZS2DD and Colin ZS2AO, both of whom were in hospital.

Acceptance of Previous Minutes :

Proposed : ZS2U Seconded ZS2ABZ.

Matters Arising:

Nil

Correspondence:

None due to Clive ZS2RT being overseas. Rory ZS2BL once again requested anyone with knowledge of the whereabouts of the spare Post Box key to get in touch with him.

Finance:

No report due to the treasurer

being away.

Special Events:

24 September – Heritage Day. Station to be set up at Heritage Day event at SAAF Museum by Al ZS2U and Bill ZS2ABZ. The Club has been invited to attend a bring and braai with the MG Car Club at the VCC Clubhouse in Conyngham Road at lunchtime.

General:

UI-View and Winpack registrations: Barry ZR2DX advised that with the passing of Roger Barker G4IDE, the author of these programs, free registration codes are now available. He gave the URL for these to be obtained via the internet, viz.

<http://www.apritch.myby.co.uk/ui/v32.htm> . The only request to all users is to make a voluntary donation to your local cancer research

Welcome to HF QSO Party:

Barry ZR2DX advised that at the last SARL Council meeting he obtained consensus that PEARS would be the host club for this event. The QSO Party will be

scheduled as soon as the new regulations are signed off.

On the subject of the new Regulations, Barry advised that this document as presented to the DOC by ICASA is available from him in MS-Word format. In response to questions Barry ZR2DX gave an outline of future licensing and upgrading procedures for licences.

The business of the meeting then closed at 8.30pm, and a DVD presentation of the President's address at the recent Hamfest in Johannesburg was displayed. The sound however proved to be inadequate, and it was unanimously agreed that the presentation should be held over for next month, when better sound equipment would be provided.

Refreshments were then provided as usual by Bill ZS2ABZ, and the meeting ended with socialising. ☺

The PEARS “Welcome to HF” QSO Party

Objective

For DX operators and South African stations with a ZS or ZU prefix to make as many contacts with ZR stations on HF as possible.

For South African ZR stations, to make as many HF contacts as possible with any other station (including other ZRs).

Contest Period

The contest will run from a time and date yet to be confirmed.

Mode and Frequencies

The mode is SSB only. The following frequencies shall be used:
3.600 – 3.800 MHz
7.050 – 7.100 MHz
14.225 – 14.350 MHz
21.300 – 21.450 MHz
28.300 – 28.500 MHz

Entrance Categories

There are three entrance categories:

1. ZR - Stations in South Africa with ZR prefixes.
2. ZS – Stations in South Africa with ZS or ZU prefixes.
3. DX – stations outside of South Africa.

Station Requirements

There are no limitations on the power of stations, or the number of operators, or the location of station

equipment except that all operators must operate within the limits of their licences at all times.

Points

- A contact between two ZR stations scores 2 points.
- A contact between a ZR station and a ZS station scores 1 point.
- A contact between a ZR station and a DX station scores 5 points.
- A contact between a ZS station and a DX station scores 1 point.

Only one contact with each station on each band counts. Points can be claimed for multiple contacts with the same station on different bands.

Exchange

Signal report and the operator's name.

Awards

- DX – An award will be made to the top entrant from each continent.
- ZR – An award will be made to the top three entrants.
- ZS – An award will be made to the top three entrants.

Logs

Logs can be sent via snail-mail to:
**PEARS QSO Party, PO Box 5277,
Walmer 6070** or via email to
zr2dx@mweb.co.za 

APRS – TRACKER V 1.0

from JOHAN TERBLANCHE ZS1I

The circuit presented here could generate an APRS signal with very little effort. Starting point was the TinyTrak from Byonics, where all functions are done with a microcontroller. The position data in NMEA format (\$GPRMC) delivered from a GPS Receiver is decoded and a 1200 bps packet radio signal is generated from it. This can be fed directly into a transmitter without the need of a TNC. Because of the simple circuit a decoding of received APRS signals is not possible.

The APRS interface has a serial interface for connecting the GPS or for programming several parameters with a

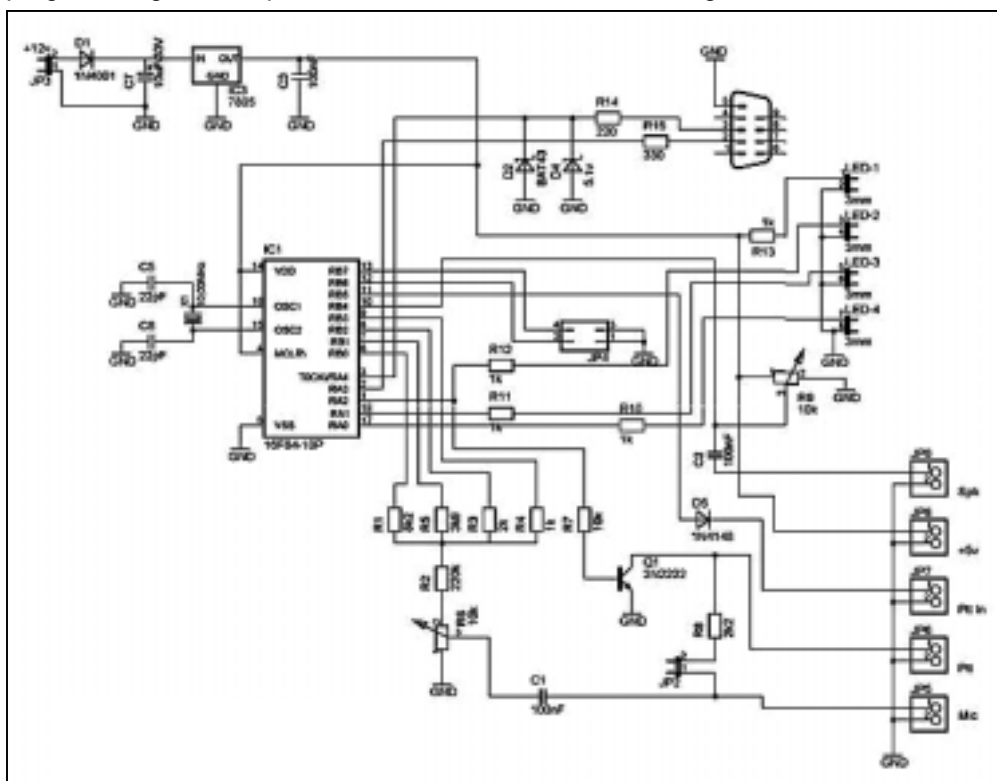
computer.

Circuit

Heart of the circuit is a Microchip PIC16F84-10/P microcontroller that also generates the necessary frequencies for the packet radio signal. The 10 MHz version has to be used because the 4 MHz version is too slow for generating the audio frequencies.

The circuit is equivalent to the Tiny Trak design with a few hardware and firmware additions (Figure 1). The knowledge of the TinyTrak documentation is helpful and silently assumed...

I could not get a ceramic resonator,



therefore I used a 10 MHz crystal, which needs two additional 22pF condensers.

An additional 100nF condenser from the common point of the four D/A converter resistors to ground slightly improves the shape of the audio signals.

A Jumper (JP2) allows connecting a 2k2 resistor for PTT control over the MIC line as needed for most handies. A 100nF condenser from the base of the PTT transistor to ground avoids problems with HF interference.

At pin 11 of the micro controller a key to ground could be connected, which allows transmitting a beacon immediately.

Construction

First a note for those who are not experienced electronic constructors. The original Tiny Trak is sold as a kit with the micro controller already programmed. If you have little experience in home brewing and PIC – Programming, I suggest that you buy a ready built kit, available from various clubs in South Africa. Byonics at www.byonics.com is the main supplier of TinyTrak kits.

For the experienced constructor and experimenter this project should be fairly easy to built on a ready made PCB (Figure 2). Components are listed as per enclosed schematic diagram as well as the component outlay in Figure 3.

Micro controller Programming

A new micro controller first has to be programmed with suitable firmware, that means a program has to be loaded that analyses the GPS data and generates the APRS signals. The original firmware (Ver 1.0) and setup

program for the micro controller is available from zs1i@mweb.co.za.

Please note that this firmware does not permit MIC-E, SMARTBEACONING or position with altitude, speed-heading ect. Firmware V1.6 from DK7IN will allow the above but I have not yet tested it with this project or setup.

Settings

The programming of the parameters (call, path) is done with the original setup program [TinyTrakConfig.exe](#) (Ver. 1.0) from [Byonics](#). The fixed beacon rate could be set in 10 sec steps, the TX Delay with a resolution of 6.6 ms. The audio level has to be adjusted for correct modulation of the connected transceiver and the PTT jumper should be set for handies (PTT via MIC input) if applicable.

JP4 selects the operation mode. With JP4 open, a fixed beacon rate will be used, if closed smart beaconing is enabled with the appropriate firmware (V1.6), where the beacon rate is controlled by your speed and direction changes.

With smart beaconing and JP4 closed, beacons will be transmitted more often and direction changes of more than 40 degrees trigger a beacon. Otherwise transmissions occur less often and a direction change has to be more than 60 degrees. JP4 always determines the TX Delay according to the primary or secondary timing.

The carrier detect LED at pin 17 is illuminated if another station is transmitting. The GPS LED at pin 18 is on with valid data from the GPS receiver and blinks while receiving GPS data without a valid position. The PTT LED is on while the transmitter is keyed.

During initialization at power up the

yellow and green LEDs are blinking three times followed by a beacon. But automatic beacons will only be transmitted if valid NMEA data from the GPS receiver is received.

If a radio is connected, it should transmit periodically and a packet burst should be heard on a receiving radio. When the receiver's squelch is opened, the carrier detect LED should light, and all transmissions will be delayed. If a radio receiver and TNC are available, packets should be able to be monitored.

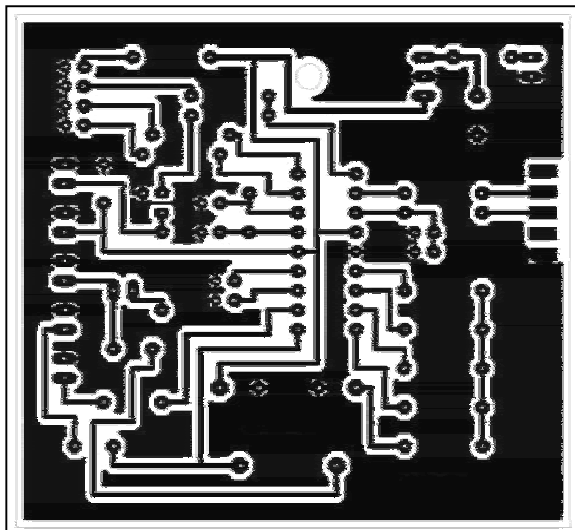


Fig. 2 – Printed Circuit board (actual size)

Final Word from ZS1I

I have successfully constructed the above tracker.

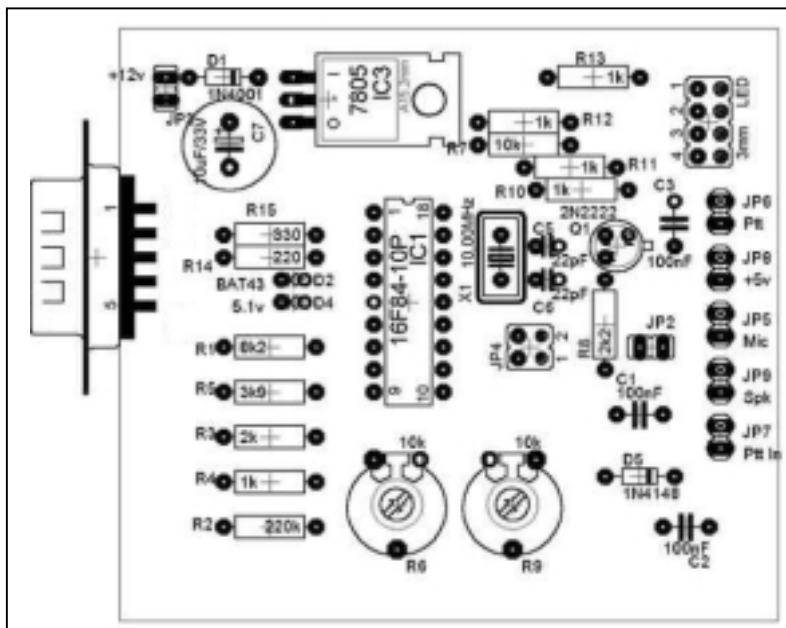
Although it differs somewhat from the TinyTrack versions from Byonics, it works well and is an excellent project for those radio amateurs and clubs that would like to experiment with APRS Tracking and the programming of micro controllers.

HAPPY PROGRAMMING AND TRACKING!!!

REFERENCES:

- *TinyTrak I Owner's Manual Ver. 100* by Byon Garrabrant N6BG
- *Interface TinyTrack* by J5JTZ
- *APRS TinyTrak* by Rolf Bleher DK7IN

Fig. 3 – Component layout



With the advent of the new regulations, which will allow restricted licensees (ZRs) access to the HF bands, ZRs will want to operate there and will therefore need antennas for these bands.

Here are some antennas which are simple to make, yet perform effectively.

The **half-wave dipole** is difficult to beat. The length is $L = 14250 / F$ (MHz) centimetres. The dipole may be erected horizontally and should, if possible, be at least a half wave above ground (See Fig. 1). If this is not possible, it should preferably be at least ten metres above ground.

Radiation is maximum at right angles to the antenna, but is a broad pattern, about 100 degrees wide either side.

This antenna requires two poles or supports, but one can use the **inverted vee** configuration using only one pole or support (Fig. 2). This increases radiation along the line of the antenna and reduces radiation at right angles to the antenna, a more omnidirectional pattern. Greatest radiation is still at right angles to the antenna.

The angle θ should not be less than 90 degrees and should preferably be 105 to 120 degrees. The slope from horizontal should be the same for both legs.

A third configuration is the **sloper** as shown in Fig. 3. The arrow shows direction of maximum radiation, with less at right angles to the antenna and least to the back. Results to the back will be poor. Angle θ should be somewhere between 45 and 60 degrees. The lower end should be as high as possible above the ground, preferably at least 1/6 wavelength

$$\left(\frac{5000}{F \text{ (MHz)}} \text{ cm} \right).$$

If a metal mast is used for a support, it should not be a resonant length on the frequency or frequencies to be used, especially for the sloper antenna.

The most popular feedline is coaxial cable and either 50 ohm or 75 ohm cable may be used. With either impedance, there is likely to be a slight mismatch, which will result in a negligible increase in line loss.

More importantly is the transmitter output power reduction due to the mismatch. If it is significant, it can easily be remedied with an L network as shown in Fig. 4.


This assumes that the antenna impedance is higher than the 50 ohms from the transmitter. If it is lower, then the capacitor C should be on the transmitter side of inductance L.

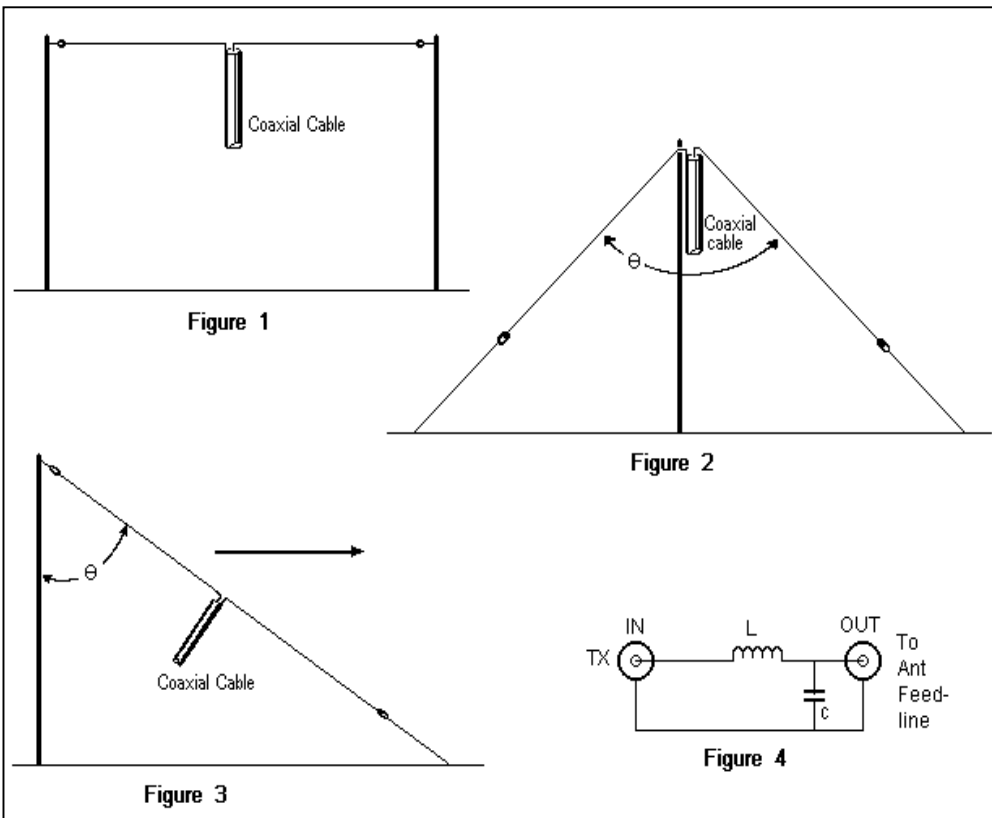
Typical values for forty metres is 0,7 microhenries for L and 200 picofarads for C, but these should be made variable in order to obtain the best match.

For other bands use proportionate values, i.e. for 80m which is half the frequency, use double the values.

The feedline should run equidistant from the two halves of the dipole for at least a quarter wavelength, and its length plus the length of one half of the dipole should not be resonant at the operating frequency. This is to minimize antenna currents on the feedline, which will cause matching difficulties, distortion of radiation pattern, loss of antenna efficiency, RF in the shack and increased chance of BCI and TVI.

The screen of the coaxial cable should be connected to the lower half of the sloper antenna.

These antennas are all single band antennas, though a forty metre dipole may work on 15 metres as well. 



FOR \$ALE ★ WANTED ★ SWOP

- WANTED**
- * Low-power CW only xtal controlled TX, similar to Johnson Navigator, Viking Adventurer, Globe Scout, Heath ATI or Knight S255; also an HRO receiver. All the above may be in any condition — Dudley Forsyth ZS2AW, tel. 046 622 3985.
 - * Does anyone have a number of poles to be fitted together at a site in Mocambique to support an antenna? They must be short enough to be carried by vehicle — Peter Liebenberg ZS2PL, tel. 042 292 0506.
 - * Does anyone want to try to fix a Grundig 1400SL Pro (transistorised) communications receiver? The owner has a CD with circuit diagrams etc. — Tom Davies, tel. 046 622 5730

Pearstalk



(Some of these items are from SARL bulletins and ZS4BS Dennis Green's HF Newsletter)

VHF INFORMATION & IMPORTANT SOFTWARE

From Hal Lund ZS6WB:

You may wish to save the following among your favourites:

HSMS BULLETIN BOARD (MS Info)
http://www.qsl.net/w8wn/hscw/papers/hot_news.html

WSJT K1JT HOME PAGE
<http://pulsar.princeton.edu/~joe/K1JT/>

EUROPEAN MIRROR WSJT SITE
<http://www.vhfdx.de/wsjt/>

DIMENSION 4 PC TIMING
<http://www.thinkman.com/dimension4/>

SOUTH AFRICAN VHF (PEARS - See Note Below)
<http://www.qsl.net/zs2pe/>

VHF & EME DX CLUSTERS & LINKS

PING JOCKEY CENTRAL*
<http://www.pingjockey.net/cgi-bin/pingtalk>

N0UK JT65 TERRESTRIAL LINK*
<http://www.chris.org/cgi-bin/jt44talk>

N0UK JT65 EME LINK*
<http://www.chris.org/cgi-bin/jt44eme>

OH2AQ 50 MHz DX Cluster
<http://oh2aq.kolumbus.com/dxs/50.html>

ON4KST VHF CHAT
<http://www.on4kst.com/chat/start.php>

PROPAGATION

GENERAL PROPAGATION
<http://dx.qsl.net/propagation/>

SOLAR TERRESTRIAL ACTIVITY REPORT
<http://www.dxlc.com/solar/>

SOUTHERN AFRICA TROPO (HEPBURN)
http://home.cogeco.ca/~dxinfo/tropo_afi.html

The three link sites (*) may be used for making schedules during activity periods

etc. Ping Jockey Central is for meteor scatter contacts using FSK441 or JT6M while the two WSJT sites are for long range tropo or EME contacts using the JT44 or JT65 modes.

Barry, ZR2DX has kindly offered to make the Port Elizabeth Amateur Radio Society (PEARS) website the official VHF site for Southern Africa and information on current VHF projects, upcoming VHF events (grid expeditions, contests etc), reports of VHF openings, links to other VHF sites and all other things VHF.

Plans are to also have available listings of current South African VHF records and standings tables of countries, grids and long distances worked on the various VHF and microwave bands.

This is a work in progress and will take some time to get it into final form. In the meantime please give any suggestions and any VHF information you would like to see on the site to Barry at zr2dx@mweb.co.za

Your current scores on each of the bands from 50 MHz up can be provided in the following format:

Your Callsign

Band

DXCC Countries worked (All Modes)

DXCC Countries Worked (Digital Modes)

Grid Squares Worked (All Modes)

Longest Distance Worked

EME Initials

Please feel free to forward this to any of your friends who may be interested in the VHF digital modes.

47th JAMBOREE-ON-THE-AIR: JOTA

Once again, it is expected that this year there will be an increase in the use of IRLP and ECHOLINK by JOTA stations. All participating stations are encouraged to try these systems as well.

YOUR E-MAIL ADDRESS, PSE!

Members of PEARS are asked to supply us with their e-mail address.

They can simply drop the Chairman an email so that we can build up a decent data base.

CHECK THIS!

Mike Hanslow ZS1RMS writes:

Next time you use the Swartberg Repeater on 145,625MHz, you will appreciate the conditions that it must operate under. On a preventive maintenance trip to our MSSR (Monopulse Secondary Surveillance Radar) at Blesberg (2084 Metres), you can clearly see the shimmer of light



shining through the ice packed mast were the repeater antenna is mounted.

This photo was taken on the afternoon of Tuesday 7 September.

FREE UI-VIEW & WINPACK REGISTRATIONS

With the recent passing of Roger Barker G4IDE, the author of UI-View and Winpack, registration for these packages is now available free via the internet. Users are however asked to consider making a voluntary donation to their local cancer research.

The registration codes can be obtained by visiting

<http://www.apritch.myby.co.uk/uiv32.htm> and following the instructions.

Registration codes are emailed fairly promptly. Note that this is the registration for the full 32-bit version of UI-View!

ZS to ZS 2m EME QSO!

Congratulations to Derek ZS5Y and Willem ZS6WAB on completing a ZS to ZS 2m EME QSO! Willem is from Polokwane and has "inherited" Kobie ZS6ALE's EME array, whilst Derek is in Scottburgh on the Natal coast.

The contact was made using the JT65B digital mode.

NEW REGULATION AMENDMENTS IN WORD FORMAT

Barry ZR2DX has a copy of the new Regulation amendments as issued by ICASA to the DOC for signature and ultimately for publication in the Government Gazette.

The document was provided to SARL Council by Mandla Mchunu of ICASA, and anyone interested in obtaining a copy of this file can email Barry at zr2dx@mweb.co.za. The file is in MS-Word format.

CLOSING DATE FOR RA EXAMINATION

The next RAE will take place on Thursday, 18 November. Entries for this examination close on 14 October. No late entries will be accepted.

Entries received after this date will be automatically left over till the next RAE in 2005.

An entry form can also be downloaded from the SARL web page and after completion faxed to the SARL on 011-675-2793.

OMISSION OF AMATEUR ALLOCATIONS

The SARL president, Graham Hartlett, ZS6GJH, received a communication from ICASA that the 2,4 and 5,6 GHz allocations for amateurs had been accidentally omitted from the last publication of the band plan in the Government Gazette. This will be rectified in the next band plan publication in the Government Gazette.

NOMINATIONS INVITED FOR SARL AWARDS

The SARL Council invites clubs and SARL members to submit nominations for the following SARL awards:

1. *Honorary Life Membership:-*

The SARL's highest honour.

2. *Willie Wilson Gold Badge:-*

Awarded to the amateur who gave exceptional and meritorious service to the League.

3. *Jack Twine Award:-*

To recognize qualities such as unselfishness, clean operating and a genuine interest in Amateur Radio and its affairs. This prestigious award will be made to amateurs who, in the opinion of their fellow amateurs and the League's Council, exemplify the qualities desirable in a radio amateur.

4. *Arthur Hemsley 2 metre Trophy:-*

Awarded to a Radio Amateur for

his/her individual achievements with transmissions in the 2 metre amateur band. This award is made for extraordinary performance on EME or modes such as tropospheric propagation. It is not for the longest distance worked but rather for persistence in achieving something special on 2 metres.

5. *Barney Joel Trophy:-*

Awarded to any member of the SARL for the best performance during the year whilst working HF mobile. This award could be made for performance by an individual in rally or other public event communication etc.

6. *Joseph White Plaque:-*

Awarded to any member of the SARL for exceptional achievements in the 432 MHz band during the past year. This is not awarded for the longest distance worked, but for all round achievements.

7. *Bert Buckley Six metre Trophy:-*

Awarded to any radio amateur for his/her individual achievements with transmissions in the six metre amateur band. This award is not for the longest distance worked but for outstanding work or activity on six metres.

8. *Icom Excellence Award:-*

This award is bestowed annually on the amateur who through his/her activity in the Amateur Service has brought international recognition to South Africa by either the achievement of a VHF/UHF long distance record which is internationally recognized by the IARU, or by service to the Republic of South Africa or the SARL in the field of scientific research using the amateur spectrum, or in promoting the amateur service internationally or as Council may determine from time to time.

9. *Radio ZS VHF Trophy:*

Awarded to the amateur who achieved the longest distance on the 2 metre amateur band during the year. 📍

Condolences: Our sympathy goes to Tom Davies, whose wife passed away during September from bronchial pneumonia. She was in hospital after having had a stroke, during which she fell and broke a hip.

We also extend our condolences to Al and Jo Akers on the loss of Al's brother Des during September.

Our condolences also go to Neil Thomas ZR2NT and family, whose mother passed away at the beginning of September.

To those celebrating special days (24.10 to 20.11) we say

Have a Happy Day... 

... on your birthdays

October

24 Kathy Gerstle, XYL of ZS2WG
25 Jim France ZS2JF
26 Stoffel Carr ZS2C
27 Ria de Vos, XYL of ZS2ABY
29 Pat Pullinger ZS2PJP
29 Noel Staples ZS2AAS

November

5 André Botes ZS2ACP
6 Anne van der Linden, XYL of ZR2VDL
6 Viv Moore ZS2VM
8 Martin Ras ZR2MR
9 Jeanette Mulder, XYL of ZS2AJ
11 Nicolas Thomas ZR2NDT
12 Ed Langley ZS2PU
14 Dot Clarke, XYL of ZS2MF
15 Richard Borello ZR2RB
15 George Cooke ZS1JD
17 Cheryl du Preez, XYL of ZS2ABT
18 Martha Terblanche, XYL of ZS1I

... on your anniversaries

October

24 Jo ZS2W and Al Akers ZS2U
25 Martie and Richard Borello ZR2RB
27 Maxie and André Crouse ZR2A
29 Helen and Noel Staples ZS2AAS

November

1 Martha and Johan Terblanche ZS1I
3 Dot and Ron Clarke ZS2MF

5 Betty and Isaac Greeff ZS2ZG
17 Joan and Barry Jackson ZS2H
19 Jeanette and André Mulder ZS2AJ
20 Shirley and Stoffel Carr ZS2C
20 Mel and Beavan Gwilt ZS2RL

Veelsgeluk ook aan Elise en Vernon van der Watt ZR2WC, met die geboorte van hul seun hierdie maand.



In and out of Hospital – Colin Ashwell ZS2AO was admitted to Hospital with a serious heart problem, but they stabilized him and sent him home with medication. When his blood is acceptable, they will give him a bypass.

Lionel Coombe-Davis ZS2DD also went in for attention to a leg, while Cor de Wit ZS2CG has been in hospital and we hope all is going well with you now, Cor.

In PE – Ruth, ZS2QK, has been dog-sitting here in PE for a while. Very hearty welcome, Ruth!

Back from holiday – Joan and Clive Fife back from their UK visit, while Des Pettit got back from Cape Town only to have his car broken into the first night home. Nothing was taken, though, so they must have been disturbed. 🚗

Your Society's Committee

Chairman, Awards.....	Rory Norton ZS2BL	585-9330	rory@commco.co.za
Vice Chair,	Chris Scarr ZS2AAW	368-1344	cvscarr@intekom.co.za
Secretary, Internet Website	Barry Murrell ZR2DX	083 717 9210	zr2dx@mnet.co.za
Treasurer; Assets Control	Clive Fife ZS2RT	367-3203	cfife@absamail.co.za
Repeaters, packet,.....	Chris Scarr ZS2AAW	368-1344	cvscarr@intekom.co.za
Social, Refreshments,	Bill Hodges ZS2ABZ	581-2580	whodges@absamail.co.za
Special Events	Ewalt Bouwer ZS2EHB	933-3482	ewalt.b@freemail.absa.co.za
QSX printing and info	Ashley Goosen ZR2AG	372-2052	ashleygoosen@xsinet.co.za
QSX Editor (ex com).....	Garth Laaks ZS2HB	368-1101	glaaks@iafrica.com
QSX distribution (ex com)	Trevor Scarr ZS2AE	367-1746	t&j.scarr@intekom.co.za
Technical Classes (ex com) ...	Al Akers ZS2U	360-2983	makers@firestone.co.za

PEARS' VHF/UHF & Other Services

REPEATERS

Town VHF	# 145,050/650	Knysna	* 145,075/675
Town UHF	# 431,050/438,650	Lady's Slipper.....	* 145,100/700
Cockscomb	145,000/600	Noupoort.....	* 431,150/438,750
Colesberg	* 431,075/438,675	Uitenhage.....	# 145,075/675
Cradock	* 145,050/650		
Grahamstown	* 145,150/750		

* These form the PEARS long-range 2-metre repeater system, also linked to which are East London 145,775 MHz, George 145,700, Danabaai 145,600, Stilbaai 145,750, Butterworth 145,725, King Williams Town 145,625 and Umtata (438,725 duplex). It is further extendable to Cape Town via the WCRWG system. # These can also be linked as required.

OTHER SERVICES

Packet Bulletin Board (ZSØNTP)	144,625
Packet Rose Switch ZSØGHT-3,046101 (144,675 in/out) or 046102 (UHF out to BBS).....	144,675
2m Beacon (ZS2VHF CW ID, FSK) (horizontally polarized, 160W ERP)	144,415
6m Beacon (ZS2SIX CW ID) (horizontally polarized, 25W ERP)	50,005
6m Simplex Link with Lady's Slipper 2m Repeater (vertically polarized)	51,400

Sunday Bulletins

PEARS bulletins are transmitted on Sundays immediately after the SARL English transmission, i.e. at about 08:45, on 7098 kHz as well as the 2 metre linked network that provides coverage from East London to George as well as Cradock and environs. PEARS' 7098 or 3640 kHz transceive facilities are also remotely linked as needed. In addition, the SARL's 40m operations on 7082 or 7066 kHz or Hamnet's 7070 kHz can be remotely patched to the 2m network, in receive-only mode or with full transceive capability for interactive events.

Date	Prepare and Read on 2m Repeater Link
17 Oct	ZS2RT
24	ZS2ABZ
31	ZR2DX
7 Nov	ZS2BL
14	ZR2AG
21	ZS2EHB

<u>DIARY DATES</u>
<u>OCTOBER</u>
14 RAE closing date
16-17 CQ Hou Koers and JOTA
21 PEARS MONTHLY MEETING
31 SARL President's Net
<u>NOVEMBER</u>
4 Wrinkly Rave
13-14 SARL HF Field Day (2nd leg)

* We like being your Society *